

Angle Series

- Automatic hold the top cover for smoother operation
- Cushion the downward force of top cover pressing down
- Laterally installed on both sides of the chassis to save space
- Automatic equipment assembly, with high reliability
- Customization available, the color can be adjusted according to the corporate identity color

Auto Angle Strut Patented.



Material and Finish

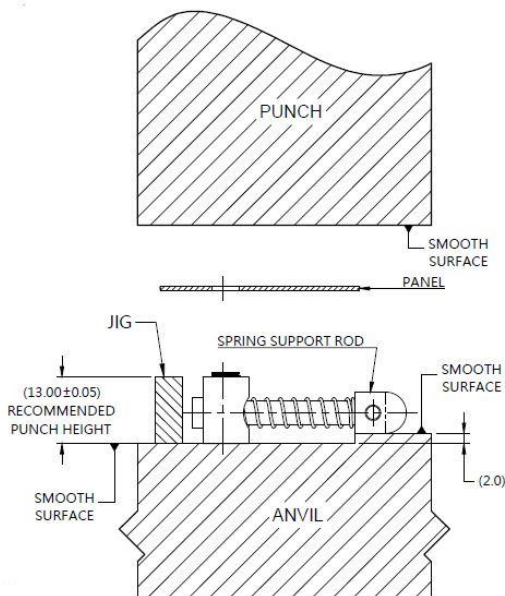
Knob :
6000 Series Aluminum, Natural Finish

Pin :
Carbon Steel, Zinc Finish

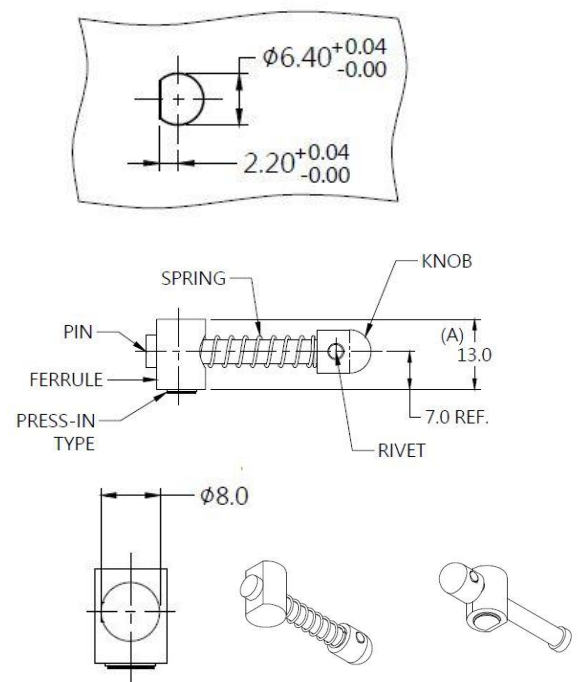
Ferrule :
Carbon Steel, Zinc Finish

Rivet/Spring :
300 Series Stainless Steel, Natural Finish.

Installation



Panel Preparation



Dimensions (mm)

SCREW LENGTH "T"	SCREW PROJECTION		PANEL THICKNESS		DIMENSINOS	
	"P-1"	"P-2"	"A" MIN	"A" MAX	" L "	" B "
41.6		22.6	0.8	~		