

CAPTIVE SCREW

- Designed for hand operation
- Fast positioning device that does not require extra tools
- Color management for plastic material is available
- Plastic knob can isolate ambient heat source and static

Captive Screw- Cloud Type Patented.



Material and Finish

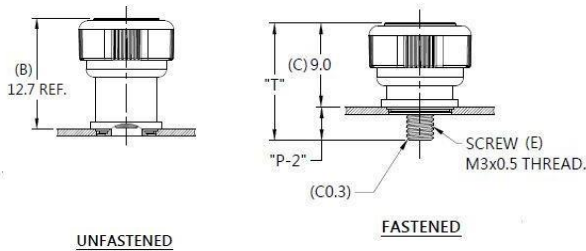
Knob:
6000 Series Aluminum, Plastic

Screw :
Carbon Steel, Zinc Finish

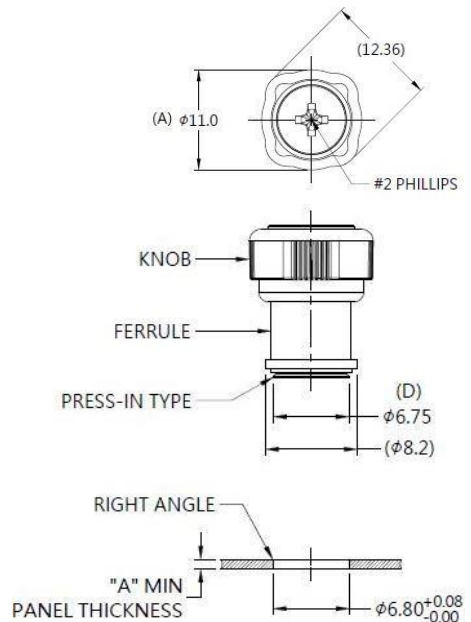
Spring :
300 Series Stainless Steel, Natural Finish

Ferrule :
Carbon Steel, Zinc Finish

Installation



Panel Preparation



Color Options



Dimensions (mm)

SCREW LENGTH "T"	SCREW PROJECTION		PANEL THICKNESS		DIMENSINOS	
	"P-1"	"P-2"	"A" MIN	"A" MAX	" L "	" B "
12.6	~	3.6	0.8	~		