

CAPTIVE SCREW

- Low profile design for hand operation
- Will be fastened on the board and not loosen
- Color management is available as required by customers
- Plastic can prevent scalding and electricity, and have a better operational feeling

Captive Screw- Low Profile Patented.



Material and Finish

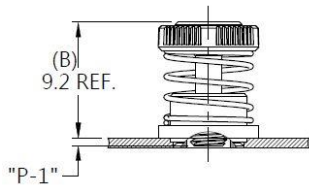
Knob:
Plastic

Screw :
Carbon Steel, Zinc Finish

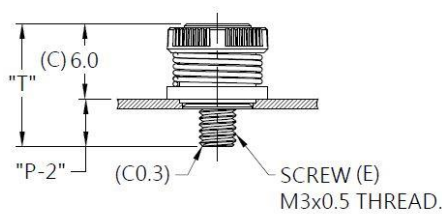
Spring :
300 Series Stainless Steel, Natural Finish

Ferrule :
Carbon Steel, Zinc Finish

Installation



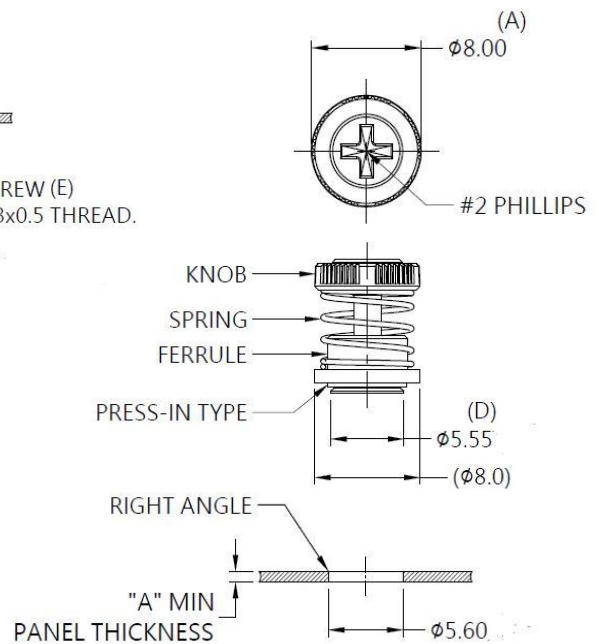
UNFASTENED



FASTENED



Panel Preparation



Color Options



Dimensions (mm)

SCREW LENGTH "T"	SCREW PROJECTION		PANEL THICKNESS		DIMENSINOS	
	"P-1"	"P-2"	"A" MIN	"A" MAX	" L "	" B "
9.8	0.6	3.8	0.8	~		