

# CAPTIVE SCREW

- Designed for hand operation
- Fast positioning device that does not require extra tools
- Color management for plastic material is available
- Plastic knob can isolate ambient heat source and static

## Captive Screw- Square Type Patented.



### Material and Finish

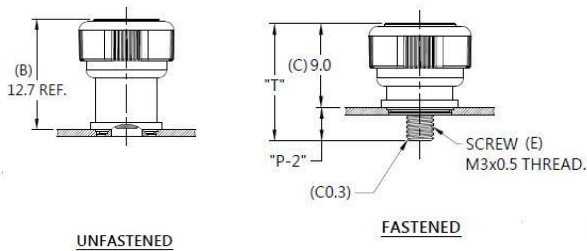
**Knob:**  
6000 Series Aluminum, Plastic

**Screw :**  
Carbon Steel, Zinc Finish

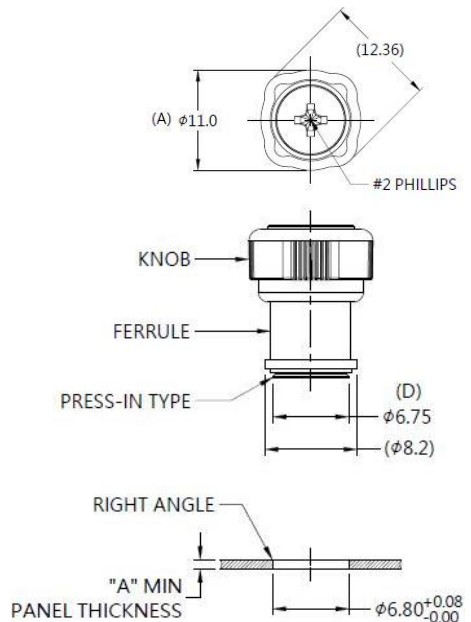
**Spring :**  
300 Series Stainless Steel, Natural Finish

**Ferrule :**  
Carbon Steel, Zinc Finish

### Installation



### Panel Preparation



### Color Options



### Dimensions (mm)

SCREW LENGTH "T"	SCREW PROJECTION		PANEL THICKNESS		DIMENSINOS	
	"P-1"	"P-2"	"A" MIN	"A" MAX	" L "	" B "
12.6	~	3.6	0.8	~		