

## SMT SERIES

- The guiding direction function can quickly align and correct
- Special cutting-edge design can achieve the anti-rotation function when fastening
- SMT soldering process improves product reliability
- Automated manufacturing production provides stability and maximizes
- Customization available

## SMT Guide Lock Patented.



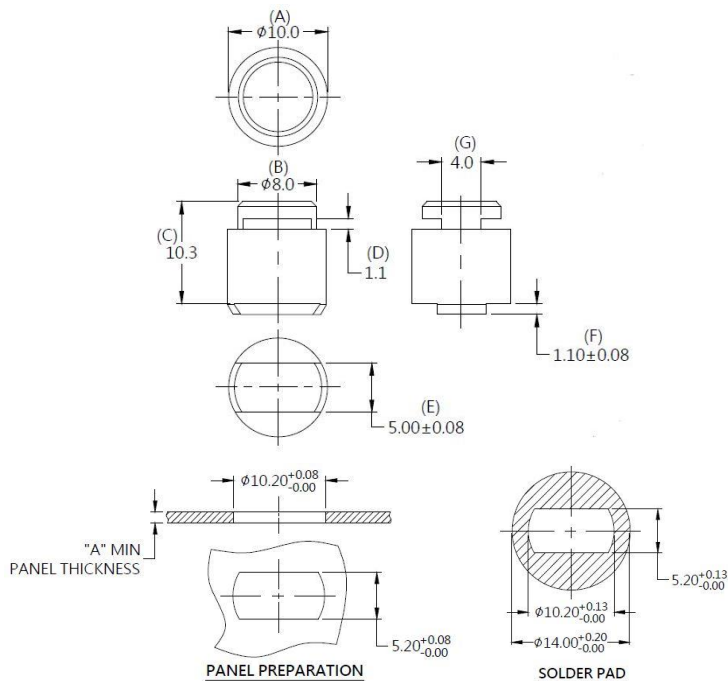
### Material and Finish

Spool :  
Carbon Steel, Tin Finish.

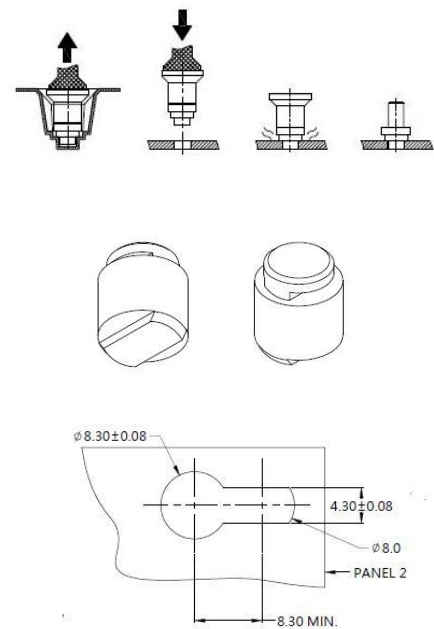
### Reel



### Panel Preparation



### Installation Style



### Dimensions (mm)

LENGTH "T"	PROJECTION		PANEL THICKNESS		DIMENSINOS	
	"P-1"	"P-2"	PANEL 1	PANEL 2	" L "	" B "
~	~	~	1.2 MIN.	1.0 MAX.	~	~