

HINGE

- Slide Hinge design, tool-free installation, easy assembly.
- Removable and re-install design, easy to remove door-leaf.
- Time efficiency, effort saving, space saving, convenient during shipping.
- Can repair rack door-leaf as component if any damageno. no need to replace whole rack/encloser.

SLIDE HINGE

Patented.



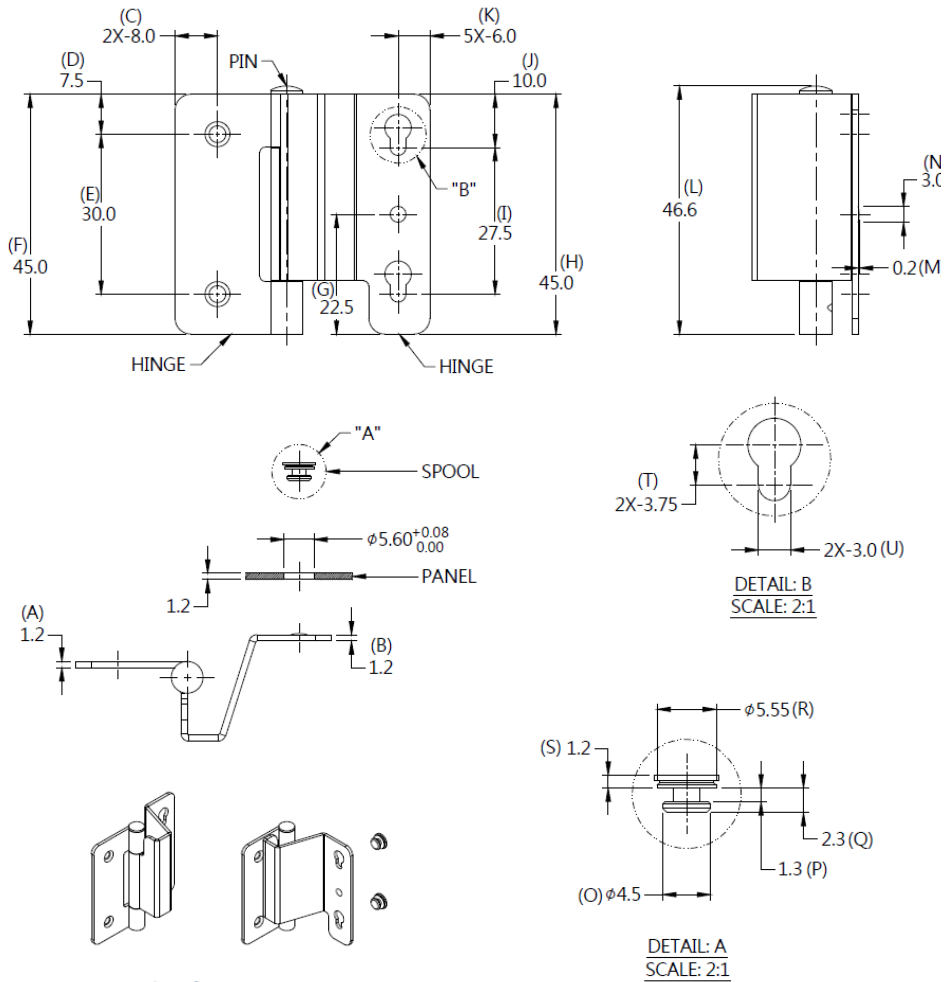
Material and Finish

HINGE : 300 SERIES STAINLESS STEEL, NATURAL FINISH

PIN : 300 SERIES STAINLESS STEEL, NATURAL FINISH

SPOOL : CARBON STEEL, ZINC FINISH

Dimensions(mm)



Installation Style

